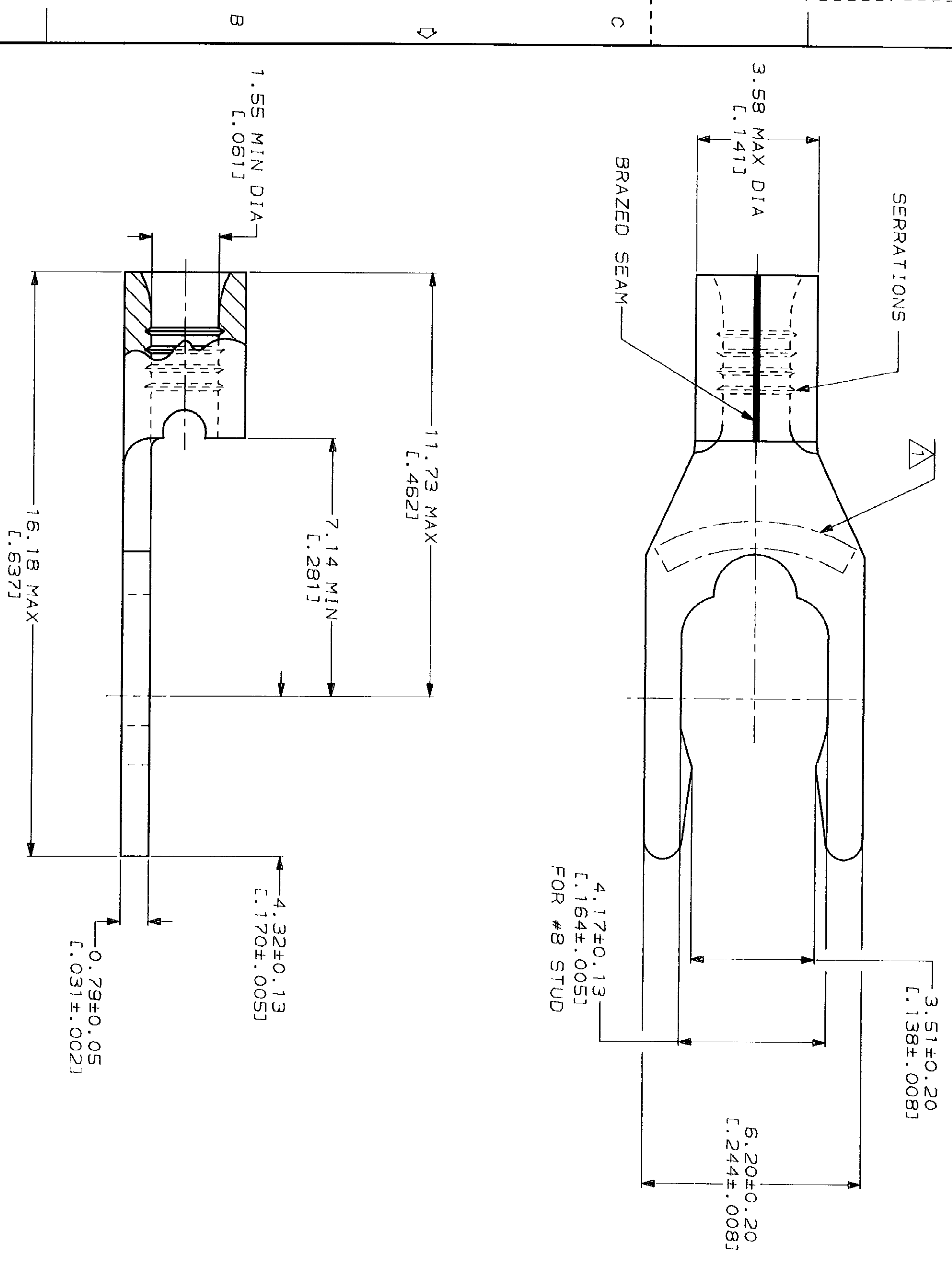


<b>AMP</b> WIRE RANGE		E13288 Listed
22-16 AWG SOLID OR STRANDED	22-16 AWG SOLID OR STRANDED	
LR7189 Certified	MILITARY P/N AND CLASS	
22-16 AWG SOLID OR STRANDED	NOT APPLICABLE	

STAMP 85 AMP 22-16\* APPROX AS SHOWN  
 22-16 TERMINALS ARE STAMPED 22-18 IN  
 ACCORDANCE WITH MILITARY SPECIFICATION  
 MIL-T-7928, COMMERCIAL WIRE RANGE IS 22-16  
 85 INDICATES STUD SIZE



**AMP INCORPORATED  
 CUSTOMER SERVICE SYSTEMS**

FOR ADDITIONAL PRODUCT INFORMATION OR COPIES OF DRAWINGS AND TECHNICAL DOCUMENTS	PRODUCT INFORMATION CENTER 1-800-522-6752
FOR APPLICATION TOOLING INFORMATION	TOOLING ASSISTANCE CENTER 1-800-722-1111
FOR ORDER ENTRY	1-800-526-5142

MAX RECOMMENDED OPERATING  
 TEMPERATURE: 170°C MAX

VOLTAGE RATING:  
 NOT APPLICABLE

WIRE CROSS SECTIONAL AREA RANGE:  
 0.26-1.65mm<sup>2</sup> (509-3,2601 CIR MILS  
 SOLID OR STRANDED)

DO NOT SCALE PRINT. UNLESS SPECIFIED DIMENSIONS IN mm - (INCHES) TOLERANCES ON: 2 PLG DEC ± 3 PLG DEC ± ANGLES	FINISH TIN PLATE 0.00254 [L.000100] MIN THK PER MIL-T-10727
MATERIAL PHOSPHOR BRONZE PER ASTM B-103 ANNEALED	

DR 3-29-93 TA BRINKMAN	DR 3-29-93 TA BRINKMAN
CHK 3-29-93 DA PATTERSON	CHK 3-29-93 DA PATTERSON
APPD 3-29-93 DE MILLER	APPD 3-29-93 DE MILLER
APPD 3-29-93 JL MECKLEY	APPD 3-29-93 JL MECKLEY
PRODUCT SPEC	PRODUCT SPEC
APPLICATION SPEC	APPLICATION SPEC
WEIGHT	WEIGHT

QUANTITY	PACKAGING TYPE	PART NO
100	LOOSE PIECE, BOX	8-53831-1
5000	ON TAPE	53831-2
---	LOOSE PIECE	53831-1

**AMP**  
 AMP Incorporated  
 Harrisburg, PA 17105-3608

TERMINAL, SHORT  
 SPRING SPADE, SOLISTRAND™

SIZE	CAGE CODE	DRAWING NO
SCALE 10:1	00779	53831
SCALE	10:1	SHEET
		1 OF 1